

STERIL-AIRE®

UVC for HVAC™

Steril-Aire UVC Controller II

Part # 8102xxxx

Industrial Controller for indoor or outdoor use with small to large UVC installations

The Steril-Aire UVC Controller II is designed to enhance your installation by providing additional capabilities to your chosen UVC solution. The controller is built with a clear front door for easy viewing of status controls and circuit breaker positions. It also includes class 2 BMS and door switch connections for safety against electrical shock.



The UVC Controller II comes with an LCD Backlit Status Display that provides such information as: Lamp Life countdown, On/Off Status, Amp Draw, and alerts when the Emitters need attention or changeout.

Do you run a BMS? The Steril-Aire UVC Controller also comes with connections that can allow your BMS to monitor loss of power, open doors, powered off Emitters, Emitter changeouts and Emitter faults.

The Steril-Aire UVC Controller II is factory assembled and tested. It is a perfect addition to your solution using Steril-Aire Emitters™ the best in UVC for HVAC. The controller:

- Is secured in a type 4X (NEMA 4X) durable polycarbonate enclosure.
- Is a UL Approved 508A Industrial Controller for the United States and Canada.
- Has power options that range from:
 - 100/120/208/240/277VAC
 - 4 to 40 AMPS
 - Single or Double phase power
 - 50/60Hz
 - 9.6KW MAX
- Has front mounted on/off buttons that are vandalism proof, IP67 water proof and red/green LED status display.
- Communicates with an optional door switch to prevent accidental exposure to UVC lights.
- Has easy access for wiring to BMS contacts.
- Digital Amp Meter with 4-20ma current loop

Stay on top of your UVC solution at all times.

Benefits

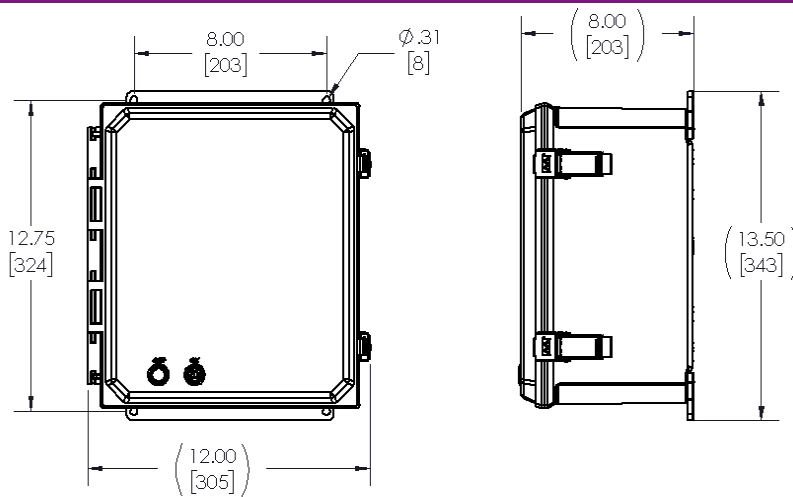
- Built in circuit breakers help prevent electrical shock by disconnecting both electrical phases.
- A digital countdown timer reminds you when Emitters need to be replaced to maintain optimal UVC output on a display that glows red when Emitters are out of service.
- The tough flange with 4 mounting holes makes for easy installations on concrete, block, sheet rock or corrugated walls.
- Engineered with locking door snap latch can for added safety or lock-out tag-out purposes.
- Crystal Clear door allows viewing of status controls and circuit breaker positions.

Specifications

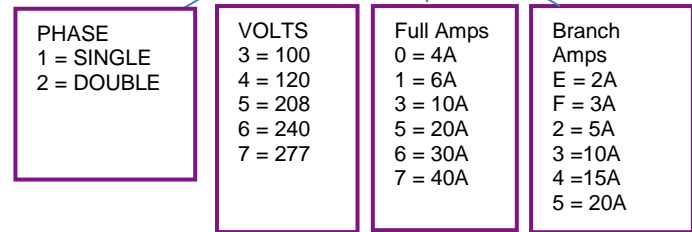
The UVC Controller shall be UL certified to 508A. Unit must include a method to alert the BMS system and visually indicate a power supply or Emitter failure. The control panel shall be equipped with current sensors allowing for the monitoring the UVGI array, individual Emitters, and power interruptions. The control box shall be encased in a NEMA 4X rated enclosure for indoor/outdoor use. Control panel shall include over-current protection; the amp ratings will be not less than 115% of the full load current. Control panel shall be capable of being connected to the door switches and/or magnetic door sensors and shall trigger a UVC array emergency shout down when the UVC compartment is entered.

Controller Configuration & Accessories

PART NO.	PHASE	AMPS	VOLTS	WATTS (MAX)
81021432	SINGLE	10	120	1.2KW
81021453	SINGLE	20	120	2.4KW
81021464	SINGLE	30	120	3.6KW
81021475	SINGLE	40	120	4.8KW
81021632	DOUBLE	10	240	2.4KW
81021653	DOUBLE	20	240	4.8KW
81021664	DOUBLE	30	240	7.2KW
81021675	DOUBLE	40	240	9.6KW



Part Numbering - 8102-PVAB



Optional Accessories

90000119

Adjustable Lever Interlock Switch Kit 10A-330V

This product may be covered by one or more of the following patents, others pending: 5,817,276 / 6,245,293 / 6,267,924 / 6,280,686 / 6,313,470 / 6,423,882 / 6,500,267 / 6,589,476 / 6,627, 000 / 6,997,578 / 7,140,749 / 7,282,728 / 7,459,694.



Steril-Aire, Inc.

Corporate Office:
 2810 N. Lima Street
 Telephone: 818-565-1128
 Fax: 818-565-1129
 Website: www.steril-
 aire.com
 Email: Sales@steril-
 aire.com



REGISTERED to ISO 9001:2015 & 14001:2015
 Certificate Registration No. 1002118 QM15

Represented By: